

CAD GENERATED DRAWING. DON'T CHANGE BY HAND.

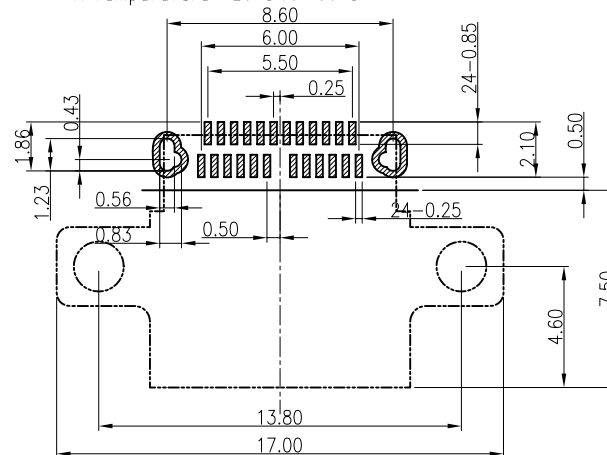
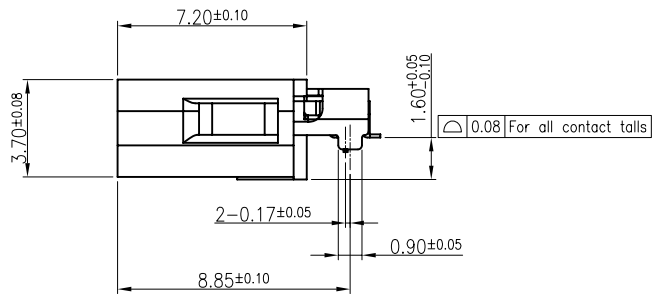
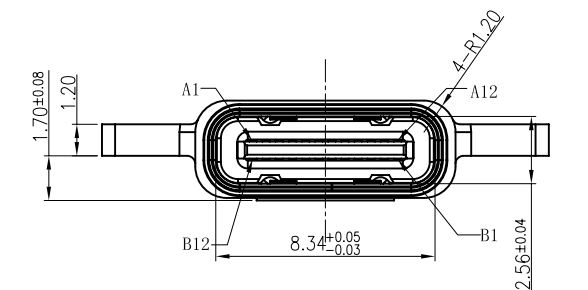
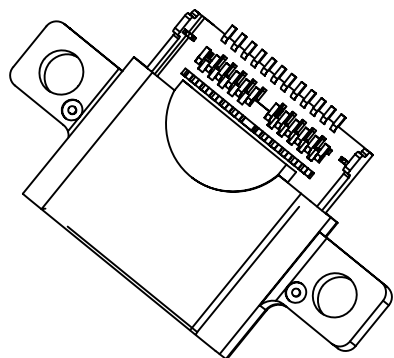
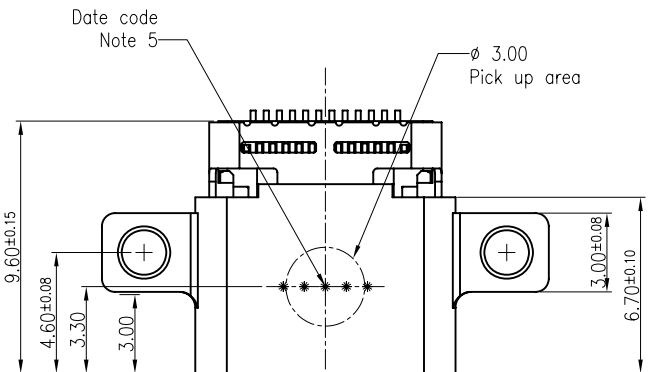
REV.	ECN. NO.	APPD.

Notes:

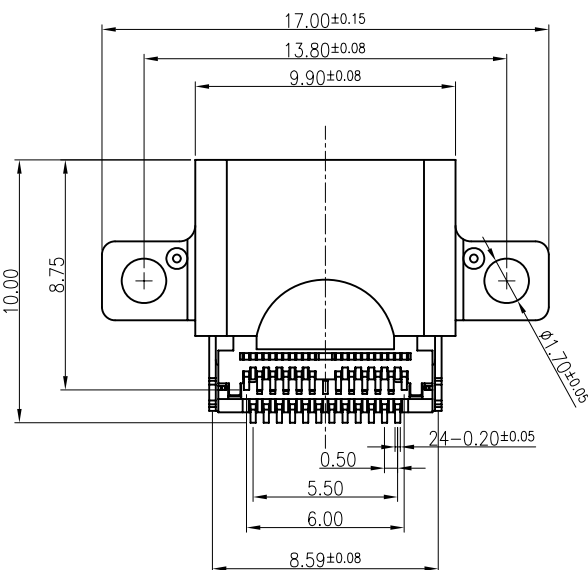
1. Dimension shall be interpreted per ASME Y14.5M1994.
2. Dimension marked ∇ & \blacktriangledown should be checked by Q.C. and process, engineers and ∇ should also check the CPK data.

Specification:

1. Current Rating: 1.0 AMP
2. Voltage Rating: 30V AC,DC
3. Dielectric Strength: 500V AC RMS for 1 minute.
4. Contact Resistance: 30 mΩ Max.
5. Insulator Resistance: 500M Ω Min. AT 250V DC.
6. Mating/Unmating cycles: 2000cycles
7. Temperature: -20°C to +60°C



P.C.B LAYOUT



A1	GND	B12	GND
A2	SSTXP1	B11	SSRXP1
A3	SSTXN1	B10	SSRXN1
A4	VBUS	B9	VBUS
A5	CC1	B8	SBU2
A6	DP1	B7	DN2
A7	DN1	B6	DP2
A8	SBU1	B5	CC2
A9	VBUS	B4	VBUS
A10	SSRXN2	B3	SSTXN2
A11	SSRXP2	B2	SSTXP2
A12	GND	B1	GND
PIN	SIGNAL NAME	PIN	SIGNAL NAME

5	SHELL	STAINLESS STEEL	Ni/SN Plated	1PCS
4	SPRING	STAINLESS STEEL	—	1PCS
3	SHIELDING PLATE	STAINLESS STEEL	Ni Plated	1PCS
2	CONTACT	COPPER ALLOY	Au/Ni Plated	1SET
1	HOUSING	HIGH TEMPERATURE PLASTIC	BLACK	1PCS
NO.	DESCRIPTION	MATERIAL	REMARKS	QTY

UNITS: mm

MAT'L: /

FINISH: /

Q'TY: /

深 圳 市 广 佳 源 电 子 科 技 有 限 公 司

PART NO. (INTENDED USE):

TITLE: TYPE C USB 24Pin SMT (1.6mm Type C USB)

APPD: /

CHKD: /

DR: Steven.Xie 2016/11/04

DWG NO: MI5

SCALE	SHEET	REV.
1/1	1/1	A1

由 Autodesk 教育版产品制作

由 Autodesk 教育版产品制作